



User Manual

Item No. 4052, 4053, 4054 | Ages 6+

Thank you for purchasing the FlyTech™ Butterfly from Wowwee®!

INTRODUCTION

The FlyTech™ Butterfly is a magical flying wonder, a perfect introduction to flight! This simple to operate Butterfly is light and elegant. Made from durable high-flex materials she is safe and perfect for flying both indoors and outdoors.

Charge Butterfly by attaching her to the charger, then, when she has recharged, push the launch trigger and watch her take off to the skies! She twirls and flutters through the air using her dual wings. When Butterfly's charge is coming to an end, she will start to slow down.

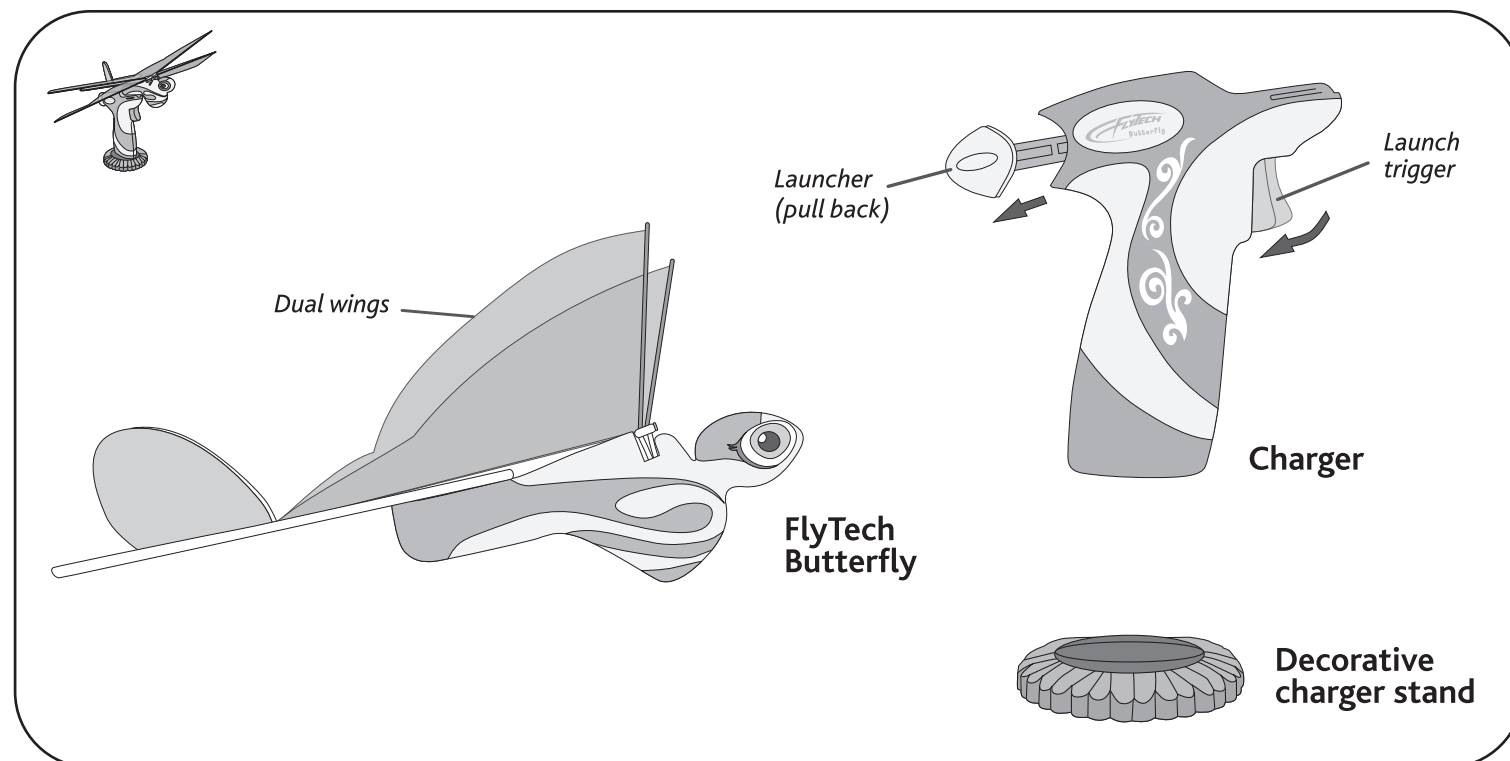
Take a few minutes to look through this user manual to get your FlyTech Butterfly up and flying!

NOTE: When using FlyTech Butterfly, adult supervision is required, especially when changing batteries, or flying outdoors (under ideal conditions).

Package Contents

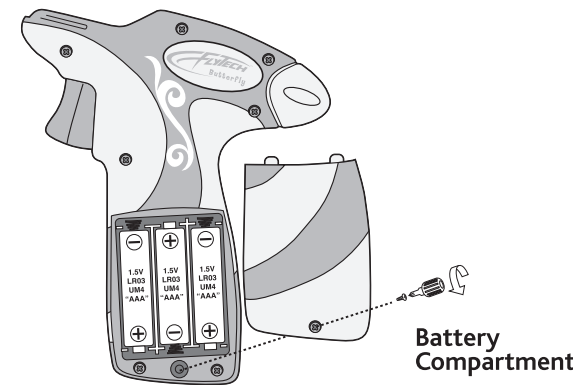
- 1 x FlyTech Butterfly
- 1 x Charger
- 1 x Decorative charger stand
- 1 x User manual

Quick Overview



Batteries

The FlyTech Butterfly charger requires 3 x "AAA" size batteries (not included). Install the batteries as follows:



1. Open the battery compartment on the charger using a Phillips screwdriver (not included) to remove the screw on the battery compartment door.
2. Insert the batteries according to the diagram. Ensure that the position and polarities match the illustrations inside the battery compartment.
3. Replace the battery compartment door and replace the screw using the screwdriver. Do not over-tighten.

ATTENTION: Important Battery Information

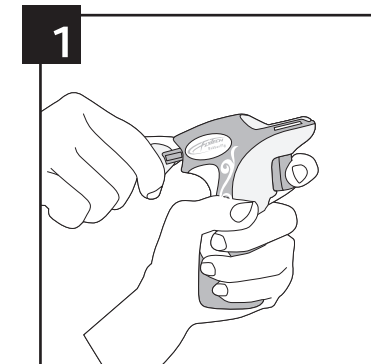
- Use only fresh batteries of the required size and recommended type
- Do not mix old and new batteries, different types of batteries (standard (Carbon-Zinc), Alkaline or rechargeable) or rechargeable batteries of different capacities
- Rechargeable batteries are only to be charged under adult supervision
- Please respect the correct polarity, (+) and (-)
- Do not try to recharge non-rechargeable batteries
- Do not throw batteries into the fire
- Replace all batteries of the same type/brand at the same time
- The supply terminals are not to be short-circuited
- Remove exhausted batteries from the toy
- Batteries should be replaced by adults
- Remove batteries if the toy is not going to be played with for some time
- The packaging should be kept since it contains important information
- Rechargeable batteries are to be removed from the charger before being charged

IMPORTANT SAFETY PRECAUTIONS

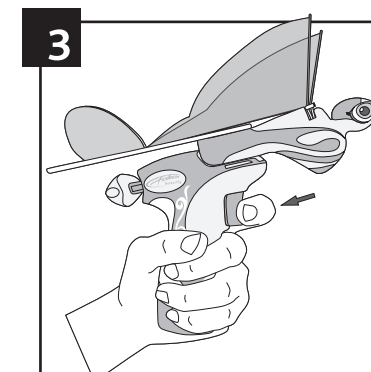
- Never fly or follow Butterfly in the streets.
- Keep Butterfly away from faces and eyes.
- Do not launch at people or animals.
- Only use the charger included in this package to recharge Butterfly.
- Keep fingers away from the Butterfly's moving joints when in use.
- Make sure people around you are aware you are playing with Butterfly.
- Do not fly near walls or ceilings.
- Do not fly Butterfly near overhead cables, trees, buildings or any other obstructions.
- Do not play outdoors during thunderstorms or other adverse weather conditions.

Charging and launching FlyTech Butterfly

To charge your FlyTech Butterfly:



On the back of the Butterfly charger, pull the launcher back until it locks into position.



Gently pull the launch trigger back to the halfway mark and hold in position to recharge Butterfly. Her wings will begin to flap slowly, to indicate that she is recharging.

Be careful not to push the launch trigger all the way back. Charge Butterfly for 5 - 10 Seconds.

WARNING: Do not charge for more than 15 seconds. If a longer charge is needed, try replacing the batteries in the charger.

Location

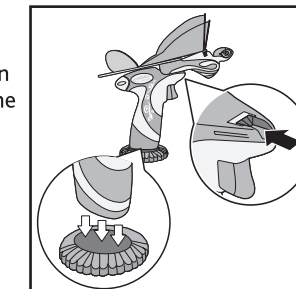
You can operate Butterfly safely indoors and outdoors (only in ideal conditions).

Ideal outdoor weather conditions are no or very little wind, no precipitation, and in a large open space with no obstacles, such as a school-yard or ball court.

When flying Butterfly outdoors, avoid windy areas and keep Butterfly away from rain or other harsh conditions.

Storage

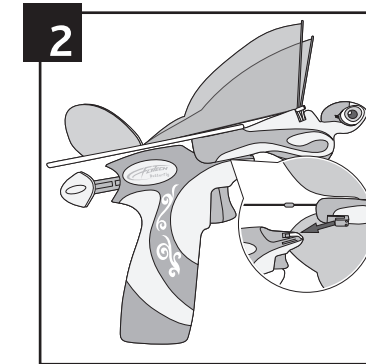
When not in use, you can rest the charger on its decorative flower stand. You can also perch Butterfly in the groove located at the front of the charger.



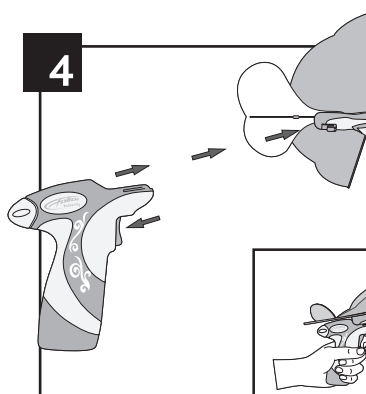
Tips and Tricks

- When flying Butterfly outdoors, take note that the calmest times of the day are usually at dawn and dusk. If it is a bit windy outdoors, avoid flying Butterfly at wind speeds higher than 4mph (6.5 km/h).
- Recharge your Butterfly only when she no longer flaps her wings.
- Get together with your friends and launch your Butterflies in the air at the same time to create a kaleidoscope of Butterflies!
- A longer charge will enable Butterfly to go higher, and fly for longer. Experiment with counting how many seconds you recharge Butterfly for, in order to find the perfect recharge time for your flying environment. Never charge for more than 15 seconds.
- When flying outdoors try pointing your arm at a near vertical angle for a higher flight.

For more tips and tricks, visit www.flytechonline.com/butterfly

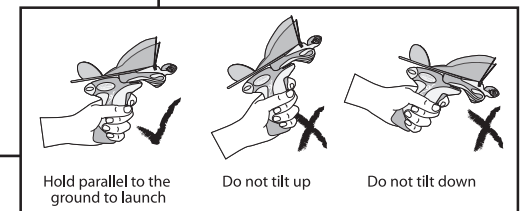


Perch Butterfly in the groove located on the front of the charger and gently push Butterfly all the way back, until she fits into position. There should be no space between Butterfly and the charger.



To launch Butterfly, hold the charger in a horizontal position and pull the launch trigger all the way back.

WARNING: Launch away from faces.



FAQ

The following is a list of frequently asked questions regarding the FlyTech Butterfly.

Q. My Butterfly is not charging properly...

A. *Verify that you are recharging her properly. During charging, Butterfly flaps her wings slowly. If you pull the launch trigger all the way back, Butterfly will take off, and her wings will start to flap more quickly. However, if you let go of the launch trigger without pushing it all the way back Butterfly will not launch, but will deplete her charge while still on the charger.*

Q. My Butterfly keeps hitting the ceiling when I launch her...

A. *Try charging Butterfly for 4 seconds or less. This will give her less power so she will not fly as high.*

Q. I have charged my Butterfly for 15 seconds but she still has very little charge and does not fly properly...

A. *The batteries in the charger might be weak. Try replacing the 3 x "AAA" batteries in the charger.*

If you have any questions that are not answered in this user manual, refer to www.flytechonline.com/butterfly

To see the full range of Wowwee products, go to www.wowwee.com

LIMITED WARRANTY
Wowwee Ltd. warrants to the original consumer purchaser that the Product ("FlyTech Butterfly") will be free from defects in material and/or workmanship under normal use for a period of 30 days from the date of purchase. This Warranty is in lieu of all other express or implied warranties which might arise with respect to this Product, including the warranties of merchantability or fitness for a particular purpose.

IN ADDITION, INCIDENTAL AND CONSEQUENTIAL DAMAGES ARE HEREBY EXCLUDED BOTH FOR PROPERTY AND TO THE EXTENT PERMITTED BY LAW, FOR PERSONAL INJURY DAMAGE.

Some states do not allow the exclusion of limitation of incidental and consequential damages.

Should you experience any difficulty with your Product, please return it to the place of purchase, along with an original proof of purchase, and either the original box or the UPC Code label from the box. You will receive a replacement for the Product or be issued a refund for the purchase of the Product in the event a replacement is not available at the place of purchase.

This warranty does not cover damage resulting from accident, abuse, or use other than as intended and described in the product instruction manual.

Note that this warranty is automatically void for any hardware modifications (including tampering or disassembly), accidental damage, damage outside what is considered normal use, or abuse. This warranty does not cover any hardware, software or other add-on components installed by the end-user.

Valid only in U.S.A.



Manufactured and distributed by © 2007 Wowwee Limited. Product names, designations, and logos are trademarks or registered trademarks of Wowwee Limited. All rights reserved.

Wowwee (Asia Office)
Unit 301A-C, 92 Granville Road
T.S.T. East, Hong Kong

Wowwee (North America Office)
Wowwee Group Company
5600 Decarie, Suite 200
Montreal, Quebec
H3X 2K4, Canada

Consumer Hotline: 1-800-310-3033
Customer Service Email: support@wowwee.com
www.wowwee.com

We recommend that you retain our address for future reference. Product and colors may vary. Packaging printed in China. This product is not suitable for children under 3 years because of small parts - choking hazard.

www.flytechonline.com

MADE IN CHINA.

4052US01TOP
4053US01TOP
4054US01TOP